

True connect LOW POWER SPLITTER



MODEL # 3WPSU/N

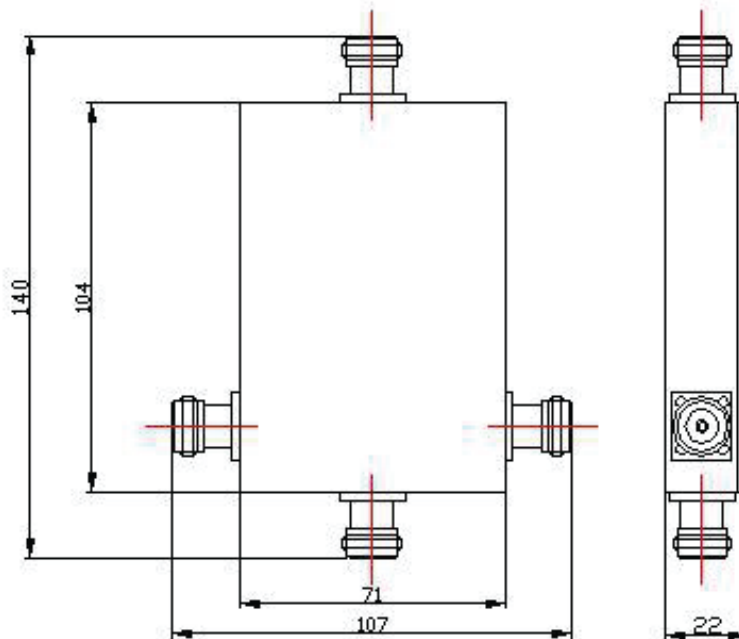


Features:

Wilkinson design power splitter that offers optimal performance and operates from UHF to 2700 MHz

Specifications

Frequency Range (MHz)	380-2700
Power Rating, Combining (W)	0.5
Power Rating, Splitting (W)	50
Insertion Loss (dB)	1.5
Split Loss (dB)	4.8
Peak Power (kW)	1
Impedance (Ω)	50
Connector	N Female
Isolation (dB)	>19
Operating temperature - °F (°C)	-30~167 (-30~75)
Weight (lbs)	0.4
Environmental	IP65 Indoor



www.wirelessupply.com

© 2019 All rights reserved. Proprietary information. Wireless Supply reserves the right to modify or amend specifications without prior notice