

TRUE CONNECT 5 WATT ATTENUATOR



MODEL # AT5/X/YYY

FEATURES

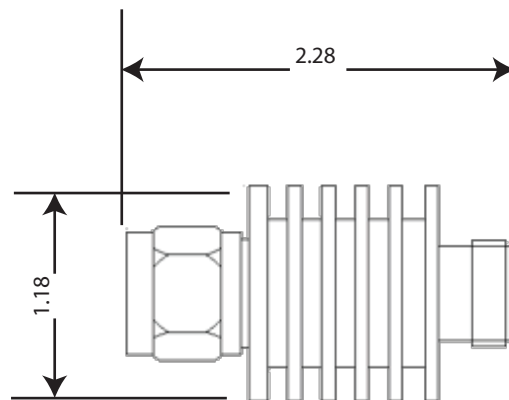
Coaxial fixed attenuators are used to absorb energy within the transmission line, expanding the power range and controlling the power level



Specifications	
Power (W)	5
Frequency (GHz)	DC-3.0
VSWR	≤1.20:1
Attenuation (dB)	See Chart
Accuracy (dB)	See Chart
Impedance (Ω)	50
Operating temperature (F)	-67 to 185 °C
Weight (lbs)	0.3
Dimensions (in)	Φ1.18 X 2.28

Attenuation OPTIONS:

X	Attenuation Value	Accuracy (dB)
3	3 dB	≤0.3
6	6 dB	≤0.5
10	10 dB	≤0.7
20	20 dB	≤0.8
30	30 dB	≤1.0



YYY	Connector 1	Connector 2
-N	N - Male	N - Female
-D	7/16 DIN Male	7/16 DIN Female
-41D	4.1/9.5 mini-DIN Male	4.1/9.5 mini-DIN Female
-43D	4.3/10 mini-DIN Male	4.3/10 mini-DIN Female