

Trueconnect 2X2 HYBRID COMBINER



MODEL - HC3/2X2WB/43F

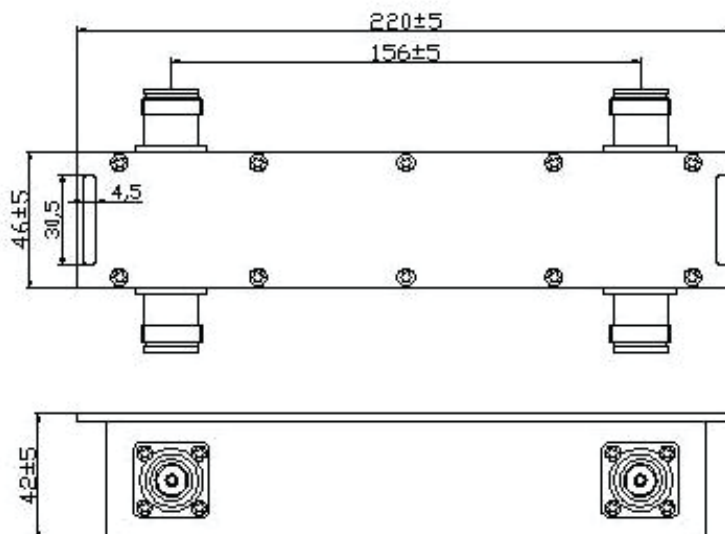


DESCRIPTION:

- In-Building Systems (DAS)
- Coverage for 700, 850, PCS, AWS, BRS, 5 & 6 GHz Bands
- Excellent Coupling Flatness
- Cavity Structure High Power Handling
- Low Insertion Loss, Low VSWR, Low PIM (IM3)

Specifications 2 X2

Part Number	HC3/2X2WB/43
Frequency Range (MHz)	600-6000
Split Ratio (dB)	3
Insertion Loss (dB)	$\leq 3 \pm 1$
Isolation Between Ports (dB)	≥ 20
VSWR	$\leq 1.50:1$
Input/Output Port	2 In 2 Out
Impedance	50 Ω
Peak Power (kW)	1.5
Power Rating (watts)	200
Temperature Range	-30 to 75 °C
PIM dBc @ 2 X 43 dBm tones	<-161
Environmental	IP65
Material	Trimetal
Dimensions (LxWxH)	8.66 X 1.81 X 1.65
Connector	4.3/10 Female



www.wirelessupply.com

© 2019 All rights reserved. Proprietary information. Wireless Supply reserves the right to modify or amend specifications without prior notice