

# Trueconnect™ 12 PORT POINT OF INTERFACE (POI)

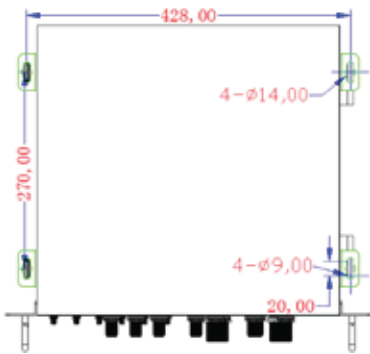
MODEL - POI12

12 Port POI  
Duplexer  
[600-2700 MHz]



## DESCRIPTION:

POI(Point of Interface) generally used between the source signal and the DAS to combine multiple bands or carriers onto one system for distribution. Features low insertion loss and test ports for each output that could also be used as a -10 dB signal that can also be used for distribution of the combined signals.



## General Specifications

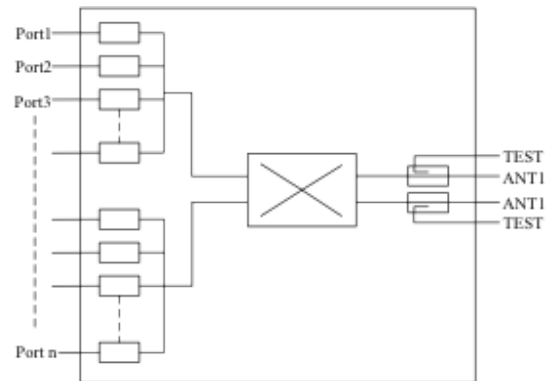
| Port | Frequency Band        | Band Name                |
|------|-----------------------|--------------------------|
| 1    | 763~775 & 793~805     | 700 PS                   |
| 2    | 698~757 & 776~787     | 700 LTE                  |
| 3    | 698~757 & 776~787     | 700 LTE                  |
| 4    | 806~824 & 851~869     | 800 PS                   |
| 5    | 824~849 & 869~896     | 850 Cell                 |
| 6    | 824~849 & 869~896     | 850 Cell                 |
| 7    | 1850~1995             | PCS                      |
| 8    | 1850~1995             | PCS                      |
| 9    | 1850~1995             | PCS                      |
| 10   | 1710~1755 & 2110~2155 | AWS                      |
| 11   | 2496~2690             | WCS                      |
| 12   | 600~696               | 600                      |
| 13   | Test Port 1           | -10 dB from Antenna Port |
| 14   | Antenna 1             |                          |
| 15   | Test Port 2           | -10 dB from Antenna Port |
| 16   | Antenna 2             |                          |

## Electrical Specifications

|                                                 |                        |
|-------------------------------------------------|------------------------|
| Intermodulation (dBc) +43 dBm X 2 carriers IM3) | ≤ -155                 |
| Insertion Loss (dB)                             | ≤ 8.5                  |
| Isolation between Ports (dB)                    | ≥ 20                   |
| VSWR                                            | ≤ 1.3:1 (Port1-Port12) |
| Power Rating (W)                                | 200                    |
| Impedance (Ω)                                   | 50                     |

## Mechanical Specifications

|                           |                                         |
|---------------------------|-----------------------------------------|
| Connector Type            | 4.3/10 Female                           |
| Dimensions In (mm)        | 15.75 X 19 X 10.5 (400 X 482.6 X 266.7) |
| Net Weight lbs (Kg)       | 17.64 (8)                               |
| Temperature Range °F (°C) | -22~167 (-30~75)                        |
| Environmental             | IP64                                    |



[www.wirelessupply.com](http://www.wirelessupply.com)

© 2019 All rights reserved. Proprietary information. Wireless Supply reserves the right to modify or amend specifications without prior notice