

Trueconnect™ LOW PIM Termination LOADS



MODEL - TL50/XX/LP

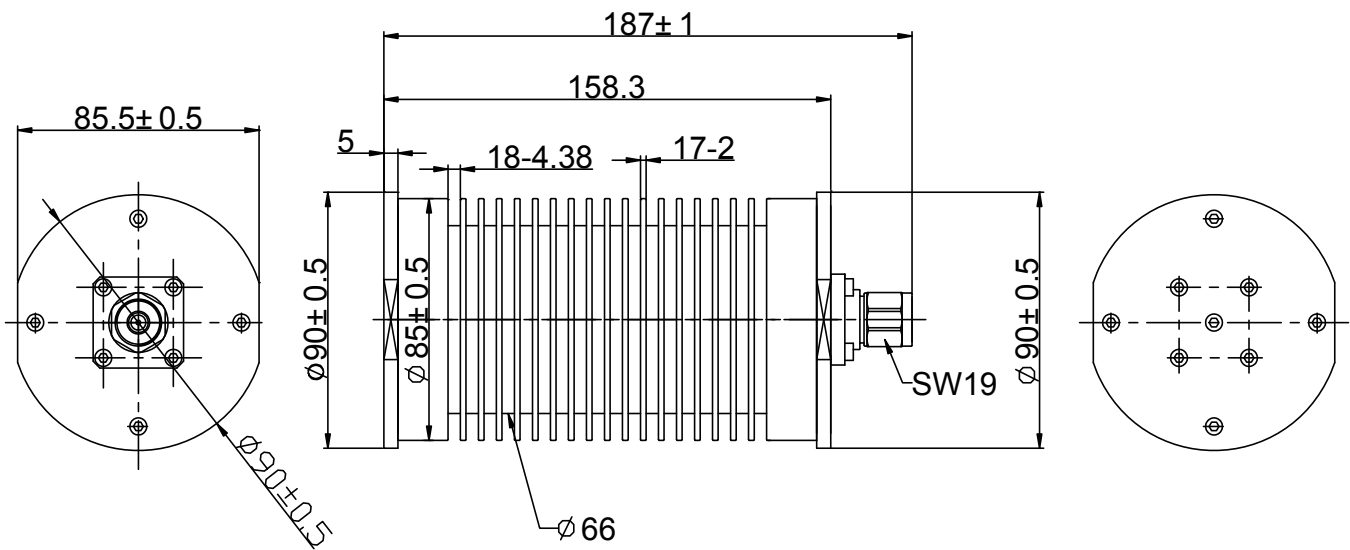


Low PIM
Termination Loads
[DC-3,000 MHz]

DESCRIPTION

Provides for termination of unused ports on equipment when used in an environment where low PIM results are required. The loads offer excellent PIM performance and can be used to calibrate test equipment for testing of low PIM components and systems.

Specifications	
Frequency Band (MHz)	DC - 3000
PIM (2 x 43 dBm tones)	≤ -170 dBm
VSWR	≤ 1.15:1
Impedance (Ω)	50
Power Rating (W)	50
Connector	N or 7/16 DIN or 4.5/9.5 or 4.3/10
Temperature Range °F (°C)	-4 to 104 (-20 to +40)



Drawing is for reference only

www.wirelessupply.com

© 2019 All rights reserved. Proprietary information. Wireless Supply reserves the right to modify or amend specifications without prior notice