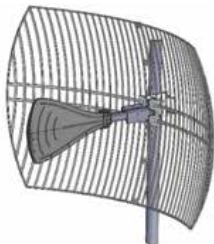


# True connect ULTRA WIDEBAND PARABOLIC ANTENNA



**MODEL # PA-6006000/N**

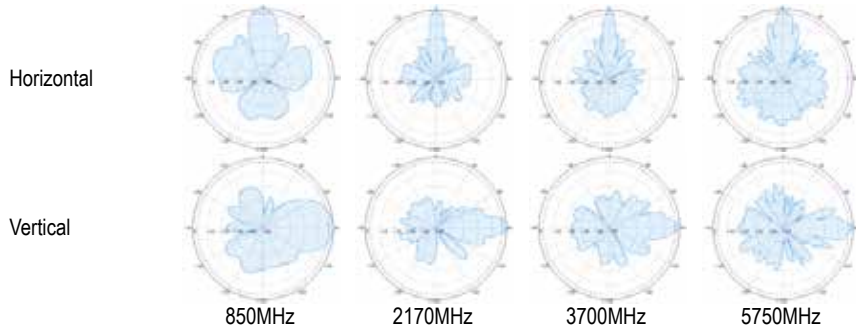


**Features:**

The Ultra Wide Band Cellular grid is capable of working on a multitude of bands including: Cellular, LTE,5G, GSM, ISM, CDMA, UMTS, 2G/3G/4G/ WiFi, Homeland Security, Wi-Max, GPS, and more.

Electrical Specifications			
Frequency Range (MHz)	600-960	1700-2700	3000-6000
Polarization	Vertical		
Gain (dBi)	10-16	21-25	16-25
Horizontal Half-power beam width (°)	23	10	7.5
Vertical Half-power beam width (°)	35	13	9
Front-to-back ratio (dB)	11-20	25-29	11-22
Impedance (Ω)	50		
VSWR	≤2.5	≤2.3	≤2.5
Maximum input power (W)	100		
Lightning protection	DC Ground		

Mechanical Specifications	
Connector	N Female
Connector position	Pigtail
Size in (mm)	23.62 X 38.98 (600 X 990)
Packaging Size in (mm)	25 X 40 X 5 (635 X 1016 X 127)
Antenna weight - lb (kg)	4.4 (2)
Installation Kit weight - lb (kg)	Included in antenna weight
Packaging weight - lb (kg)	7.2 (3.3)
Wind Velocity Survival ft/s (m/s)	150 (68)
Wind Velocity Survival mph	130
Radome material	ASA Anti UV
Radome color	Flat Gray
Operating temperature - °F (°C)	-40≈150 (-40≈65)

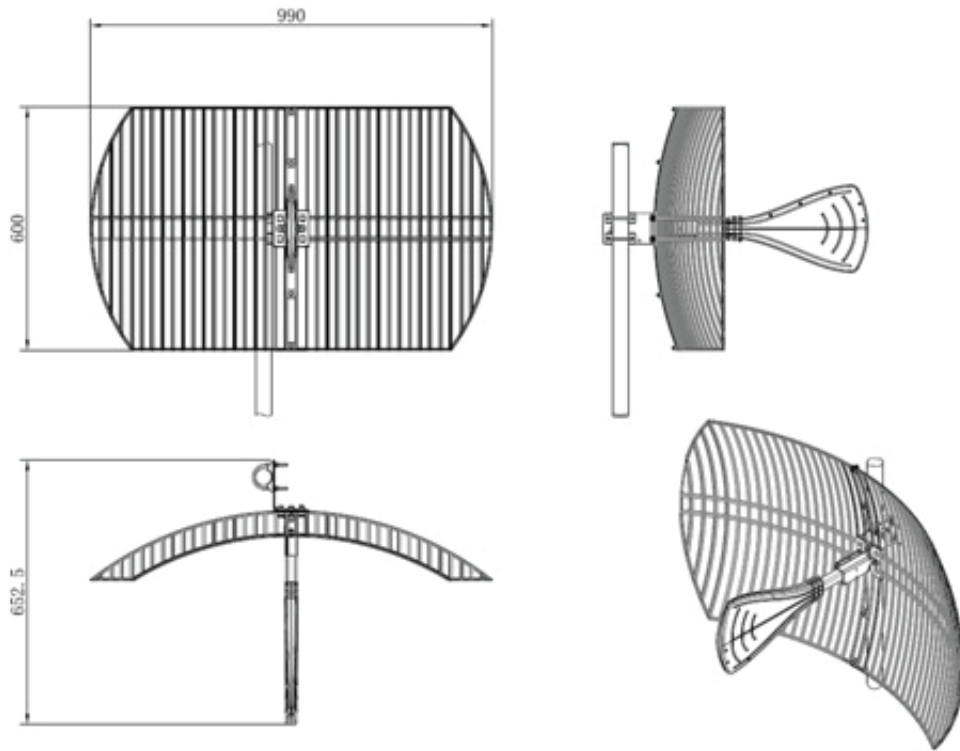


# True connect ULtra WIDEBand Parabolic Antenna

MODEL # PA-6006000/N



Dimensions



Installation

